

H PARTS LIST

HT190U UNDERSLUNG

LIT NO: L83

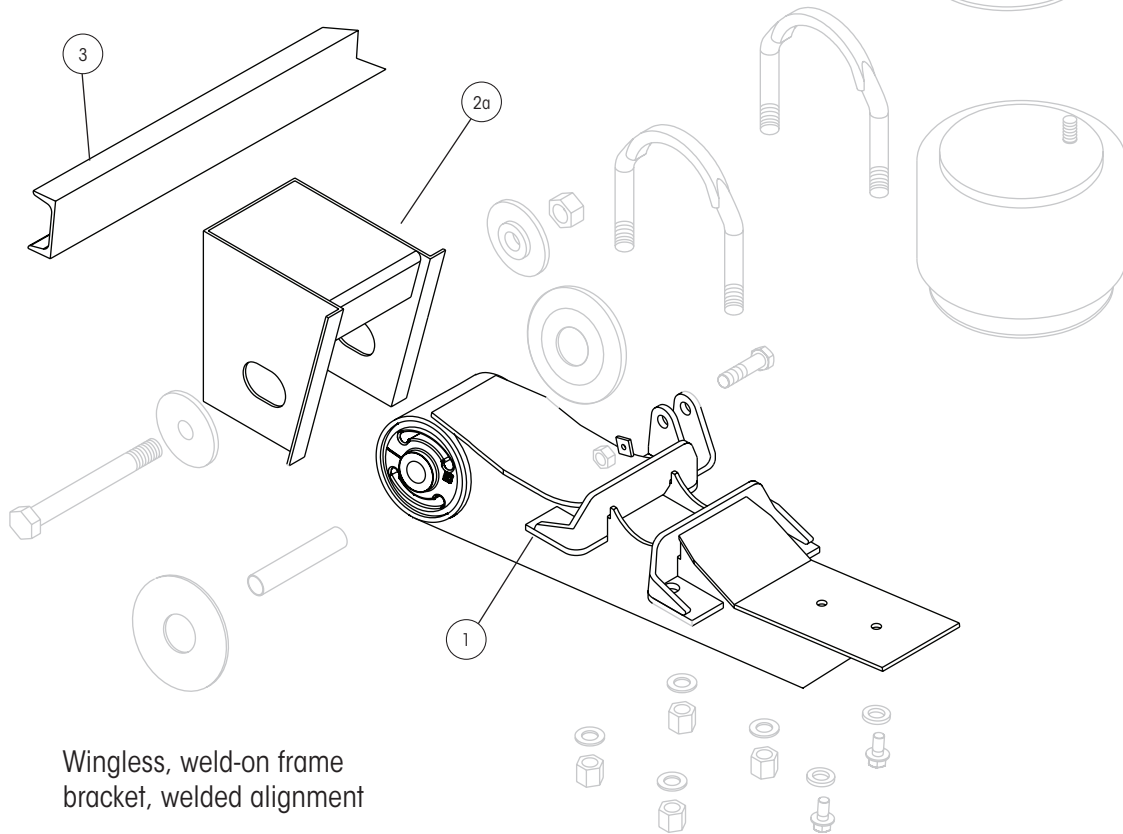
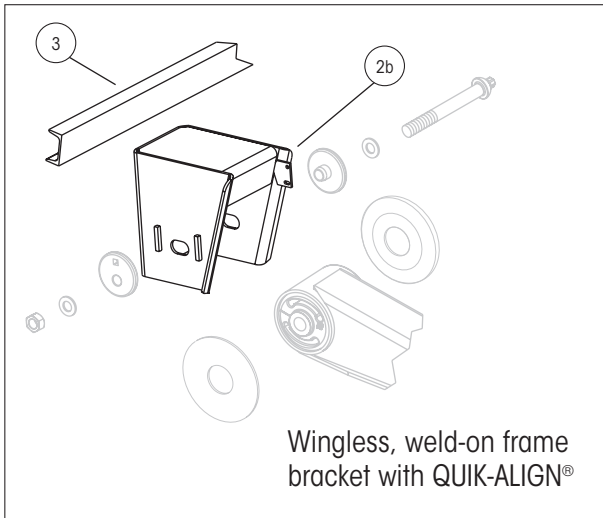
DATE: February 2014

REVISION: D





Picture shown may not resemble all models.





HT190U UNDERSLUNG PARTS LIST

ITEM	DESCRIPTION	PART NO.	QTY. PER SUSP.	FITS MODELS	HT190 ?	or N-HT190?
1	BEAM ASSEMBLY¹					
	Roadside	D-20200-1	1	U-6-020	U-7-001	U-7-020
	Curbside	D-20200-2	1	U-7-021	U-7-024	U-7.5-001
				U-7.5-020	U-7.5-501	U-7.5-517
				U-9-001	U-9-003	U-9-020
				U-9-022	U-9-024	U-9-030
				U-12-001	U-12-030	U-12-031
				UB6-020	UB6-022	UB6-030
				UB7-001	UB7-020	UB7-021
				UB7.5-001	UB7.5-020	UB9-001
				UB12-001	UB12-003	
	Roadside	D-20333-1	1	U-6.75-001	U-6.75-002	U-6.75-003
	Curbside	D-20333-2	1	U-6.75-020		
	Roadside	D-20663-1	1	U-9-007		
	Curbside	D-20663-2	1			
2	FRAME BRACKET					
	2a Wingless, Weld-on, Welded Alignment					
	Roadside	S-20211	1	U-9-001	U-9-007	U-9-020
	Curbside	S-20065-2	1	U-9-022	U-9-024	
	Roadside	S-20216	1	U-6-020	U-7-001	U-7-020
	Curbside	S-20064-2	1	U-7-024	U-7.5-001	U-7.5-020
				U-7.5-501	U-7.5-517	
	Roadside and Curbside	C-20222	1 each	U-6.75-001	U-6.75-002	U-6.75-003
				U-6.75-020	U-7-021	
	Roadside	D-15188-1	1	U-12-001		
	Curbside	S-14190-2	1			
	Roadside	S-14959-1	1	U-12-031		
	Curbside	S-14959-2	1			
	2b Wingless, Weld-on, QUIK-ALIGN®					
	Roadside	S-22580	1	UB6-020	UB6-030	UB7-001
	Curbside	S-21590-2	1	UB7-020	UB7-021	UB7.5-001
				UB7.5-020		
	Roadside	D-22601	1	UB9-001	UB9-020	
	Curbside	S-21592-2	1			
	Roadside	D-23265-1	1	UB12-001		
	Curbside	S-23461-2	1			
3	FRAME BRACKET C-CHANNEL	A-1631-19	1	All models		

1. Lower shock mount is included with beam assembly (not available for individual sale).

NOTE: Identification tag can be found on the front of the roadside frame bracket or the inside of the curbside beam.



HT190U UNDERSLUNG PARTS LIST

ITEM	DESCRIPTION	PART NO.	QTY. PER SUSP.	FITS MODELS	HT190 ? or N-HT190 ?	
4	TRI-FUNCTIONAL® II BUSHING KIT²					
	4a Welded Alignment	S-6914	2	Includes bushing, bushing tube spacers, cap screw, prevailing torque hex nut, liner and lube		
	4b QUIK-ALIGN®	S-24691	2	Includes bushing, bushing tube spacers, round head bolt, prevailing torque hex nut, hardened washers and lube		
5	BUSHING TUBE SPACER	S-21099	4	All models		
6	PIVOT BOLT KIT					
	6a Welded Alignment	S-3646	2	Includes cap screw, prevailing torque hex nut and liner		
	6b QUIK-ALIGN	S-24679	2	Includes round head bolt, hardened washers and prevailing torque hex nut		
7	ALIGNMENT COLLARS					
	7a Welded Alignment	S-2770	4	Collars are welded to frame bracket		
	7b Eccentric, QUIK-ALIGN (outer)	S-20925	2	Alignment hole is off center		
	7c Concentric, QUIK-ALIGN (inner)	S-20924	2	Alignment hole is centered		
8	U-BOLT KIT			Includes (1) U-bolt and hardware		
	8a Standard (with stepped U-bolt)	S-21140/4	4	U-6.75-001	U-6.75-002	U-6.75-003
				U-7-001	U-7-021	U-7-024
				U-7.5-001	U-7.5-501	U-7.5-517
				U-9-001	U-9-003	U-9-007
				U-9-022	U-9-024	U-9-030
				U-12-001	U-12-030	U-12-031
				UB6-030	UB7-001	UB7.5-001
				UB9-001	UB12-001	UB12-003
	8b Flattened³	S-22894/4	4	U-6-020	U-6.75-020	U-7-020
				UB6-020	UB6-022	UB7-020
				UB7-021	UB9-020	
9	AXLE SPACER⁴	S-20701	4	Axle spacer is not needed with new stepped U-bolt. For use with flattened U-bolt only.		
10	SHOCK ABSORBER	S-20001	2	U-6-020	U-7-001	U-7-020
				U-7-021	U-7-024	U-7.5-001
				U-7.5-020	U-7.5-501	U-9-001
				U-9-003	U-9-007	U-9-020
				U-9-024	U-9-030	U-12-001
				U-12-030	U-12-031	UB6-020
				UB6-022	UB6-030	UB7-001
				UB7-020	UB7.5-001	UB7.5-020
				UB9-001	UB9-020	UB12-001
				UB12-003		
		S-20002	2	U-7.5-517		
		S-2212	2	U-6.75-001	U-6.75-002	U-6.75-003
				U-6.75-020		
		S-23649	2	U-9-022	UB7-021	
11	SHOCK STRAP KIT (Not Shown)			Includes (4) nylon ties and (2) shock straps		
		S-14587-1	1	Use with S-20001 or S-20002 shock		
		S-14587-3	1	Use with S-2212 shock		
		S-23086-5	1	Use with S-23649 shock		

2. Bushing tool S-21307 is required to correctly re-bush the suspension.

3. Must order axle spacer (item #9).

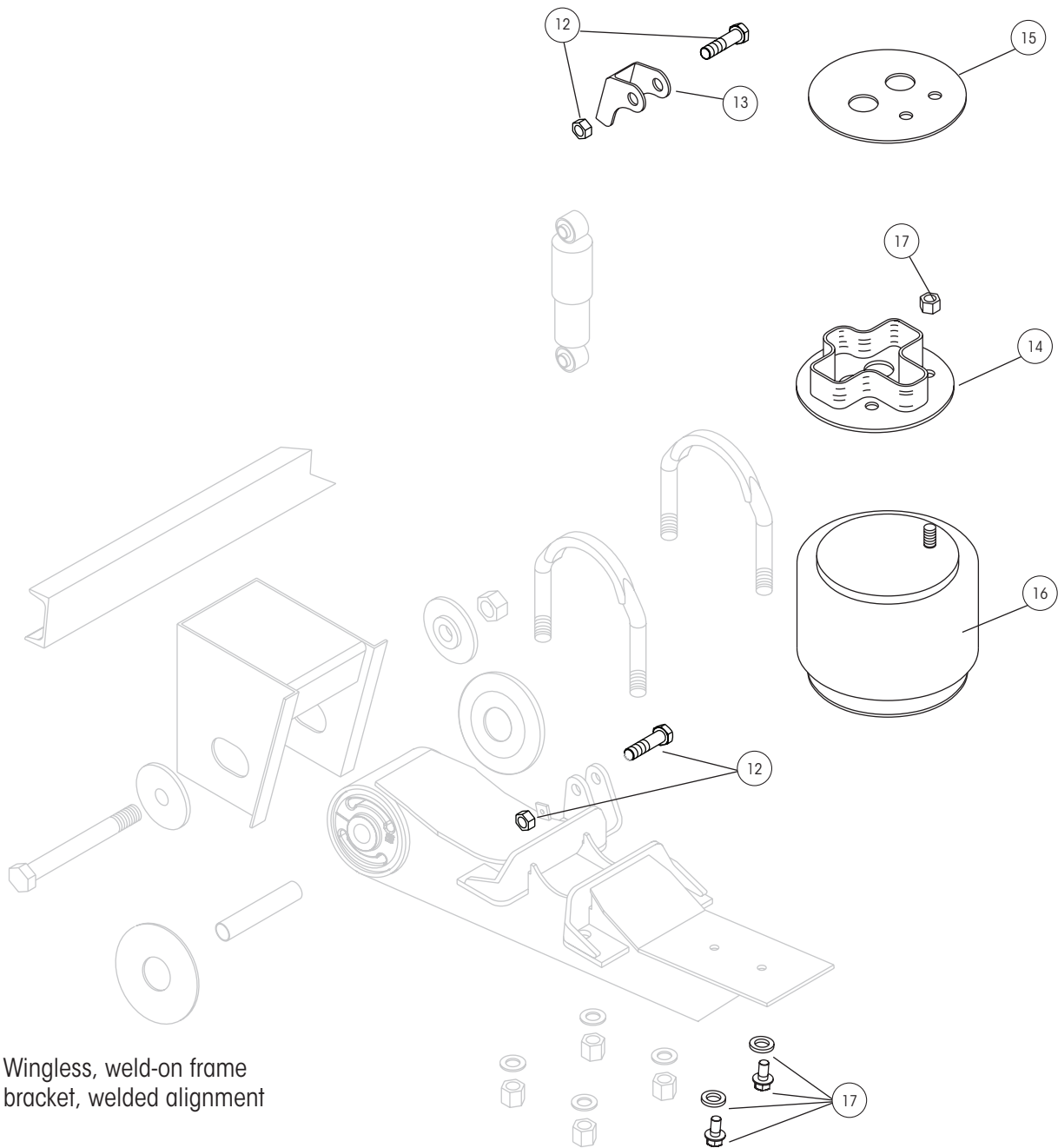
4. Must order with flattened U-bolt (item #8b).

NOTE: Identification tag can be found on the front of the roadside frame bracket or the inside of the curbside beam.

HT190U UNDERSLUNG PARTS LIST



Picture shown may not resemble all models.



Wingless, weld-on frame
bracket, welded alignment



HT190U UNDERSLUNG LIST

ITEM	DESCRIPTION	PART NO.	QTY. PER SUSP.	FITS MODELS	HT190 ?	or N-HT190 ?		
12	SHOCK BOLT KIT	S-20218/2	2	U-6-020	U-7-001	U-7-020		
				U-7-021	U-7-024	U-7.5-001		
				U-7.5-020	U-7.5-501	U-7.5-517		
				U-9-001	U-9-003	U-9-007		
				U-9-020	U-9-022	U-9-024		
				U-9-030	U-12-001	U-12-030		
				U-12-031	UB6-020	UB6-022		
				UB6-030	UB7-001	UB7-020		
				UB7-021	UB7.5-001	UB7.5-020		
				UB9-001	UB9-020	UB12-001		
		UB12-003						
		S-2157/2	2	U-6.75-001	U-6.75-002	U-6.75-003		
				U-6.75-020				
13	UPPER SHOCK CLEVIS	S-20113	2	U-6-020	U-7-001	U-7-020		
				U-7-021	U-7-024	U-7.5-001		
				U-7.5-020	U-7.5-501	U-7.5-517		
				U-9-001	U-9-020	U-9-022		
				U-9-024	U-12-001	U-12-031		
				UB6-020	UB6-030	UB7-001		
				UB7-020	UB7-021	UB7.5-001		
				UB7.5-020	UB9-001	UB9-020		
				UB12-001	UB12-003			
		S-2592	2	U-9-007				
14	AIR SPRING SPACER ASSEMBLY			Includes air spring plate and assembly				
				C-20016-1	2	U-7.5-001	U-7.5-020	U-7.5-501
						U-7.5-517	UB7.5-001	UB7.5-020
				C-20016-2	2	U-9-001	U-9-007	U-9-020
						U-9-022	U-9-024	UB9-001
				UB9-020				
		C-20016-5	2	U-12-001	U-12-031	UB12-001		
15	AIR SPRING PLATE	B-21258	2	U-6-020	U-7-001	U-7-020		
				U-7-024	UB6-020	UB6-030		
				UB7-001	UB7-020	UB7-021		
16	AIR SPRING	S-20217	2	All models				
17	AIR SPRING MOUNTING KIT	S-20033/2	2	All models				
18	AIR SPRING CROSSTUBE ASSEMBLY (Not Shown)	D-20221	1	U-6.75-001				
		D-21094	1	U-6.75-002	U-6.75-020			
		D-21095	1	U-6.75-003				
19	UNIVERSAL HEIGHT CONTROL VALVE (Not Shown)	VS-227	1 ⁵	Fits all models. Includes height control valve, exhaust line and spacer bracket				
20	UNIVERSAL LINKAGE ASSEMBLY (Not Shown)	S-14187	1 ⁵	Includes linkage assembly and hardware				
21	AUTO DUMP VALVE (Not Shown)	VS-23460	1 ⁵	Includes dump valve and fittings				
22	PRESSURE PROTECTION VALVE (Not Shown)	VS-1128	1 ⁵	Includes valve only				

5. Quantities for air control components are per trailer

NOTE: Identification tag can be found on the front of the roadside frame bracket or the inside of the curbside beam.

Call your trailer dealer or Hendrickson at **330.489.0045** or **866.RIDEAIR (743.3247)** for additional information.



www.hendrickson-intl.com

TRAILER COMMERCIAL VEHICLE SYSTEMS

2070 Industrial Place SE
Canton, OH 44707-2641 USA
866.RIDEAIR (743.3247)
330.489.0045 • Fax 800.696.4416

Hendrickson Canada

250 Chrysler Drive, Unit #3
Brampton, ON Canada L6S 6B6
800.668.5360
905.789.1030 • Fax 905.789.1033

Hendrickson Mexicana

Circuito El Marqués Sur #29
Parque Industrial El Marqués
Pob. El Colorado, Municipio El Marqués,
Querétaro, México C.P. 76246
+52 (442) 296.3600 • Fax +52 (442) 296.3601